

OPERATING INSTRUCTIONS

Properties

- » Standard DALI master, control of 4 DALI addresses
- » Complies with the latest DALI standard protocol IEC62386 and is compatible with DALI products from other international companies
- » Power is supplied via the DALI bus
- » 1-4 Push-button control
- » Allows the selection of 4 different addresses for control via coding switches
- » Supports scene, group, unicast and broadcast mode
- » Simple installation in a standard wall junction box behind a pressure switch

Technical parameters

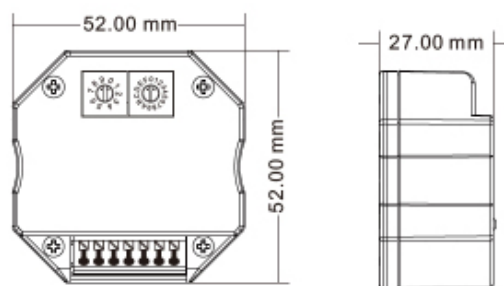
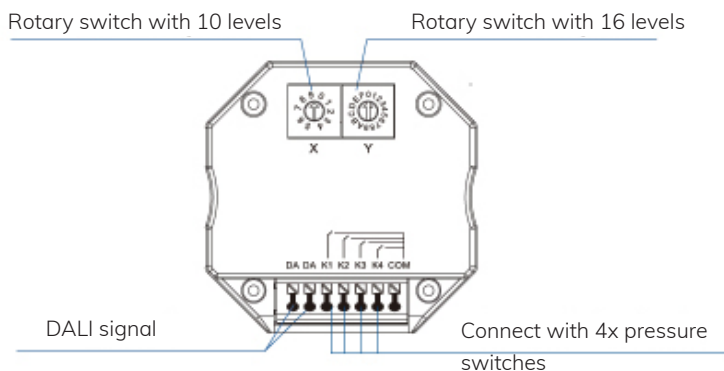
Input and output	
input signal	4x pressure switch signal
output signal	DALI signal
power supply	DALI bus
Static current	4mA@16V

Environment	
Operating temperature	Ta: -20 °C ~ +50 °C
Case temperature (Max.)	Ta: +55 °C
IP rating	IP20

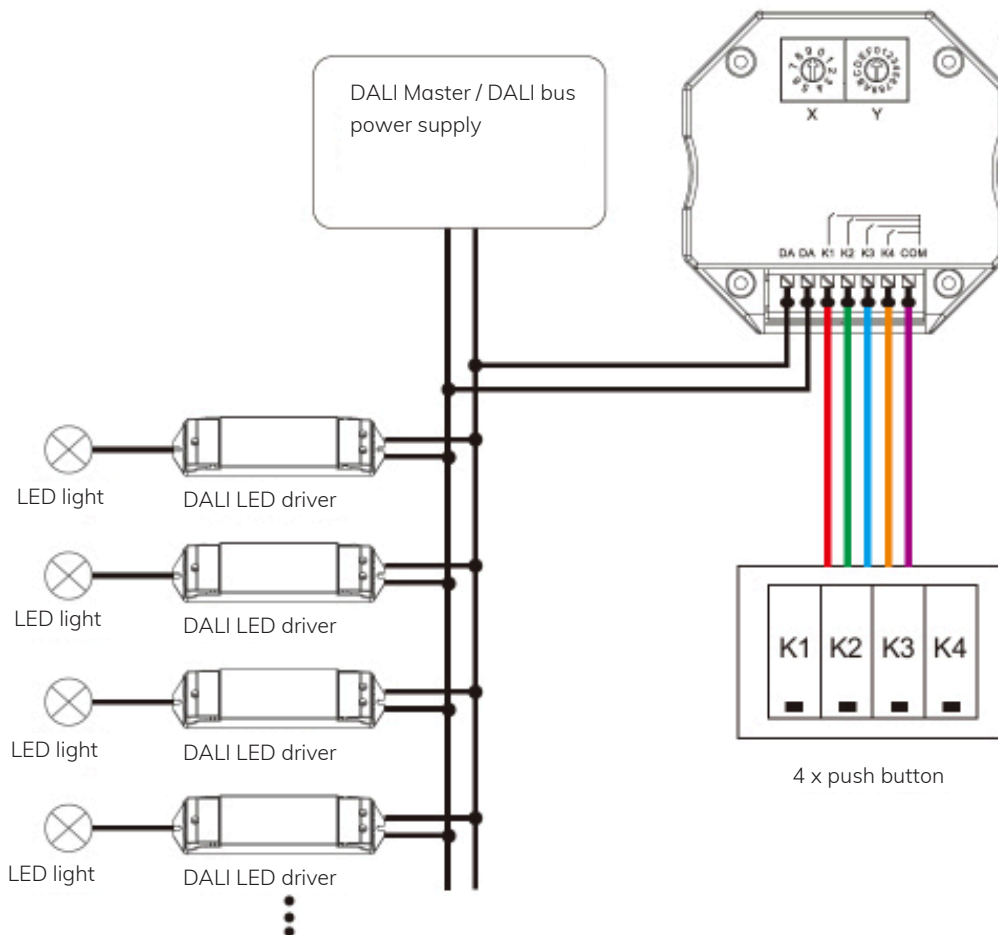
Packaging	
Size	L60x W60 x H40mm
Gross weight	0.046kg

Warranty	
Warranty	5 years

Mechanical structures and installations



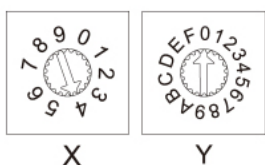
Circuit diagram



Setting the DALI address

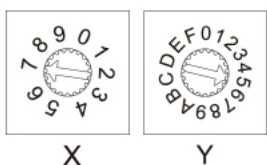
Address value = X * 10 + Y. For example: X = 5, Y = 4, address value = 5 x 10 + 4 = 54.

Unicast mode



X is 0-6, Y is 0-9. Address value 0-63 corresponds to the DALI unicast address 00-63. For example: address value = 40, the unicast values of K1,K2,K3,K4 push buttons are 40, 41, 42, 43. Address value = 62, the unicast values of push button K1,K2,K3,K4 are 62, 63, 0, 1. Briefly pressing K1,K2,K3,K4 switches the light on/off. Pressing and holding K1,K2,K3,K4 increases or decreases brightness.

Group mode

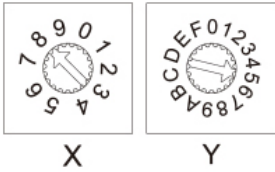


X is 7, Y is 0-F. The address values 70-7F correspond to the DALI group addresses 0-15. For example: address value = 5, the group address values of the K1,K2,K3,K4 push buttons are 5, 6, 7, 8. Address value = E, the group address value of push button K1, K2, K3, K4 are 14, 15, 0, 1. Briefly pressing K1, K2, K3, K4 switches the light on/off. Pressing and holding K1, K2, K3, K4 increases or decreases the brightness.

116285

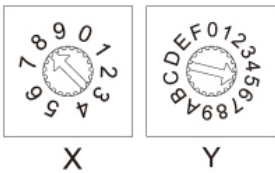
DALI master control for 4 addresses/groups/scenes, control via 4 push buttons, DALI bus voltage

Scene mode



X is 8, Y is 0-F. The address values 80-7F correspond to the DALI scenes 0-15. For example: Address value = 5, the scene values of push buttons K1, K2, K3, K4 are 5, 6, 7, 8. Address value = E, the scene value of push button K1,K2,K3,K4 is 14, 15, 0, 1. Briefly pressing K1,K2,K3,K4 calls up the scene. Pressing and holding K1,K2,K3,K4(2s) switches the scene light off.

Broadcast mode



X is 9, Y is 0-F. The address values 90 - 9F correspond to the radio addresses. Briefly pressing K1, K2, K3, K4 switches the light on/off. Pressing and holding K1, K2, K3, K4 increases or decreases the brightness.