

INSTRUCTION MANUAL

- » AC phase-cut mosfet DALI dimmer, one DALI address, one channel output
- » phase cut dimmer
- » The minimum brightness is adjustable
- » In accordance with DALI standard protocol 101, 102, 205 (IEC 62386) and in accordance with DALI products from other international organizations
- » DALI address can be assigned automatically by DALI master
- » Connect with external pressure switch to achieve on/off and 0-100% dimming function
- » For dimming and switching of single color dimmable LED lamps, traditional incandescent bulbs and halogen lamps
- » Overheating protection and overload protection, recover automatically

Technical parameters

Input and output	
Input Voltage	100 - 240V AC
Output voltage	100 - 240V AC
Output current	max. 1.5 A
output power	0 - 360 VA

Safety and EMC	
EMC standard (EMC)	ETSI EN 301 489-1 V2.2.3 ETSI EN 301 489-17 V3.2.4
Safety standard (LVD)	EN 62368-1:2020+A11:2020
Radio equipment (RED)	ETSI EN 300 328 V2.2.2
Certification	CE, EMC, LVD, RED

Dimming	
Input signal	DALI, AC Push
Dimming level	256 levels
Dimming range	0 - 100 %

Environment	
Operating temperature	T _A : -30°C - +55°C
Case temperature (Max.)	T _C : +70°C
IP protection class	IP20

Warranty and protection	
Guarantee	5 years
Protection	Overheating, overload

Packaging	
Dimensions	L75 x W75 x H40mm
Gross weight	0.096kg

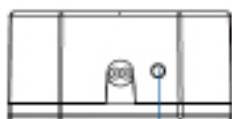
Compatible load types

Load type	Maximum load	Comments
Dimmable LED lamps	200W @ 220V 100W @ 110V	Due to the variety of LED lamp designs, the maximum number of LED lamps also depends on the power factor when they are connected to the dimmer.
Triac dimmable LED driver	200W @ 220V 100W @ 110V	The maximum permissible number of drivers is 200 W divided by the rated power of the driver on the rating plate, and ensure that the surge current does not exceed 2 times 65 A.
Incandescent bulbs, HV halogen lamps	400W @ 220V 200W @ 110V	

115807

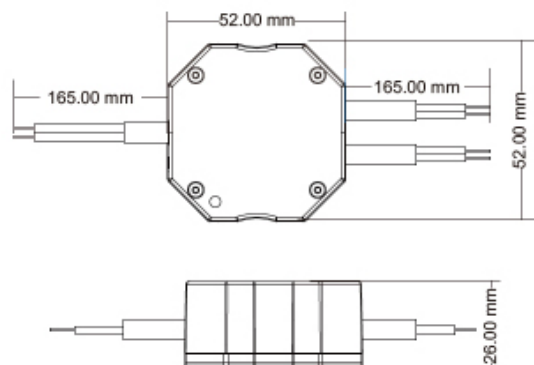
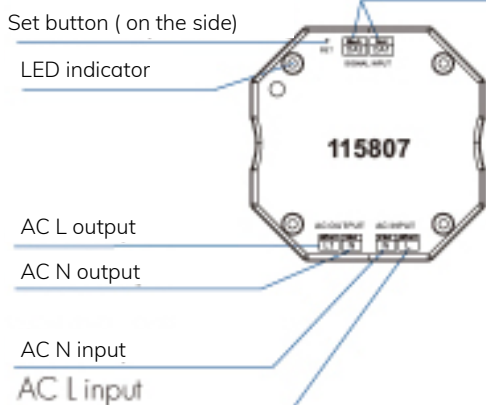
DALI phase control dimmer for dimmable 230V LED lights/transformers, 360VA

Mechanical structures and systems



Set button

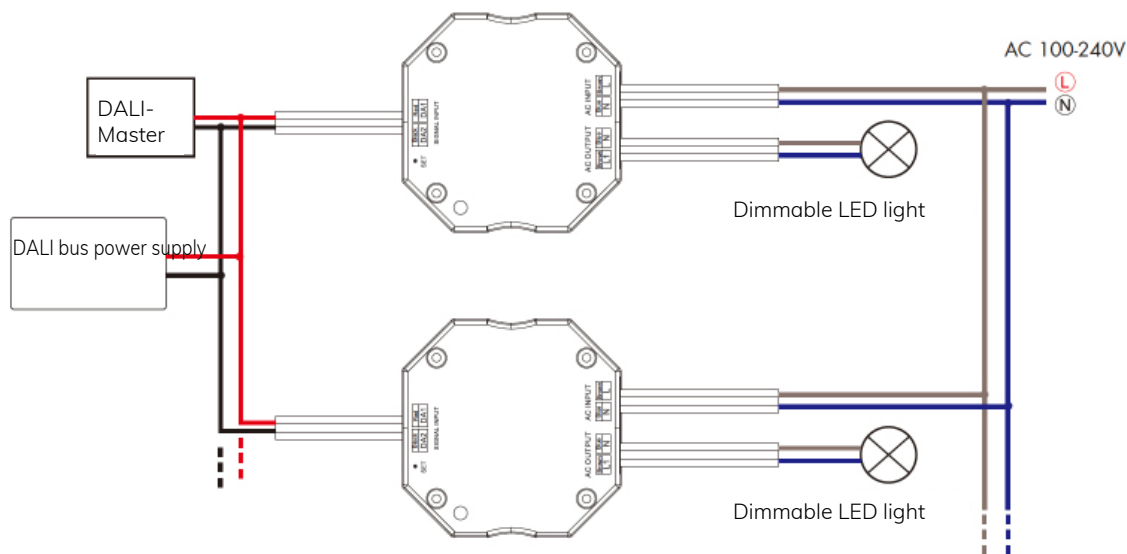
A group of DALI signal inputs
DALI bus does not have to distinguish between plus/minus polarity



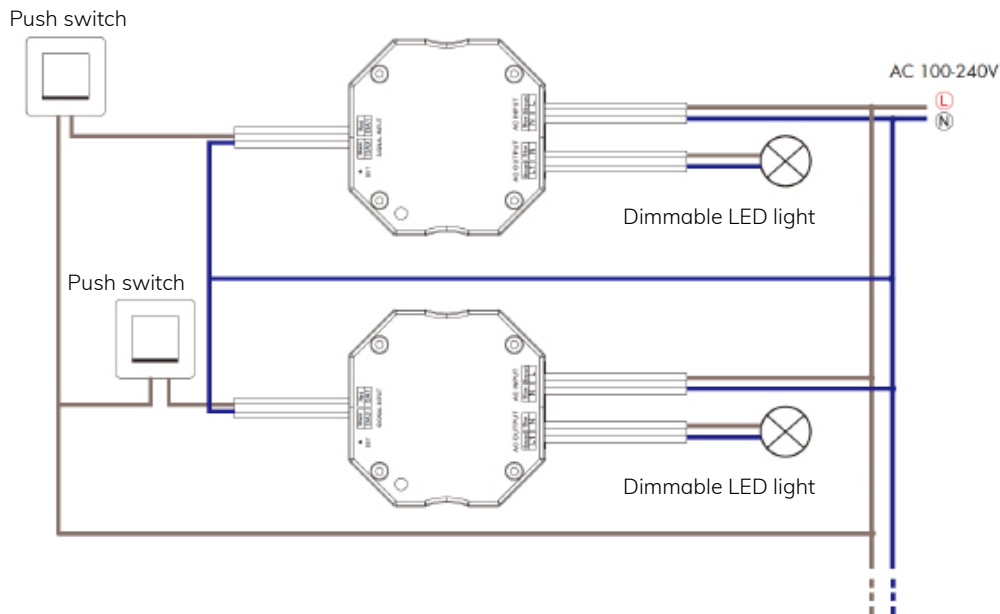
Circuit diagram

Caution: Please make sure that all cable connections and polarities are correct and secure before switching on the power, otherwise the control unit will be damaged.

Connect 115807 to DALI master



Connect 115807 to AC push switch



Display status

If the dimmer is working normally, the LED indicator flashes green.

If the internal temperature of the dimmer is too high ($\geq 120^{\circ}\text{C}$) or the load exceeds the maximum power, the LED indicator flashes red.

Once the error has been rectified, the LED indicator flashes green again.

When the dimmer receives a DALI signal, the LED indicator flashes once.

Notice

1. The DALI interface and the AC PUSH interface are compatible, DALI and AC PUSH can only be connected to one of the two interfaces, not simultaneously. When connecting to the AC PUSH switch, make sure that the return line (L) and the neutral line (N) are connected to DA1 or DA2 and cannot be connected to DA1 or DA2 at the same time.
2. When calculating the maximum number of load lamps or drivers, the input power or input current parameter of a single lamp or driver must be used, the output power parameters cannot be used. In addition, the maximum surge current of the dimmer is 65A, the sum of the surge current of several dimmable LED drivers should not exceed double the value.

Setting the minimum brightness

The minimum brightness of the device can be set or deleted by pressing the min. brightness setting button on the dimmer.

- » Recall of the minimum brightness: Briefly press the min brightness setting button on the dimmer, LED display illuminates once, the light output the minimum brightness
- » Setting the minimum brightness: Set the brightness to a desired minimum level, then press and hold the min brightness setting button for 2s until the LED display illuminates once, the current brightness is set as the minimum brightness. The light can only be dimmed between this minimum brightness and the maximum brightness.
- » Delete minimum brightness: Set the brightness to the maximum value, then press and hold the minimum brightness setting button for 2 seconds until the LED display lights up once, the minimum brightness setting is deleted.

Push dimming function

The push-dimming interface included in delivery enables a simple dimming method using standard non-latching (momentary) wall switches.

- » Short press: Switch light on or off.
- » Long press (1-6s): Press and hold to dim continuously, with each additional long press the light level goes in the opposite direction.
- » Dimming memory: The light returns to the previous dimming level when it is switched off and on again, even in the event of power outages.
- » Synchronization: If more than one controller is connected to the same push switch, make a long press for more than 10s, then the system will be synchronized and all lights in the group will dim up to 100%. This means that there is no need for an additional synchronization wire in larger installations. We recommend that the number of controllers connected to a push switch is no more than 25. The maximum length of the wires from push to controller should not exceed 20 meters.

DALI address assigned by DALI masters

The DALI address can also be assigned automatically by a DALI master controller, see the operating instructions for the compatible DALI masters under specific actions.

Safety & Warnings

Do NOT install the device under voltage.

DO NOT expose the device to moisture.