

# INSTRUCTION MANUAL



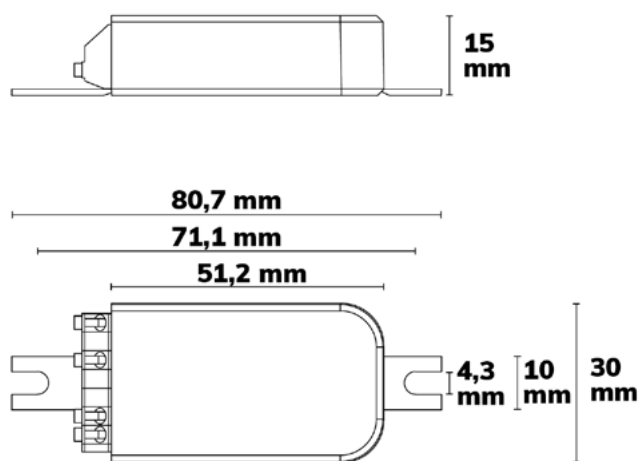
- » Universal AC input (100-240V AC)
- » 80mA guaranteed DALI line current
- » DALI-2 certified
- » Compact size allows integration in limited space
- » Removable mounting bracket offers mounting flexibility
- » Connect two devices together to get more DALI line current
- » Protected against short circuit and interruption



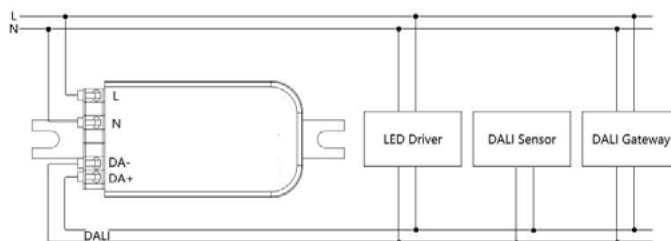
## Technical Data

|                                 |                            |
|---------------------------------|----------------------------|
| Input Voltage                   | 100-240V~50/60Hz           |
| Max. Input Current              | 0,03 A                     |
| Power consumption:              | 2,5 W                      |
| Output type                     | DALI Supply                |
| output voltage range            | 12VDC ... 20.5VDC          |
| Typ. Voltage level DC, DALI     | 16V                        |
| Guaranteed output current, DALI | 80mA                       |
| Max. Output current, DALI       | 120mA                      |
| Ambient temperature sector ta   | -20°C~+60°C                |
| Maximum housing temperature tc  | 75°C                       |
| Storage temperature             | -20°C~+70°C                |
| Relative humidity               | 5% ... 85%, non-condensing |
| IP protection class             | IP20                       |
| service life                    | Up to 50,000 h             |
| Material                        | PC housing                 |
| Dimensions (LxWxH)              | 80,7x30x15 mm              |

## Dimensions



## Circuit diagram



### PRI

Cable cross-section: 0.75 - 1.5 mm<sup>2</sup>

Length: 8mm

### SEC

Cable cross-section: 0.5-1.5 mm<sup>2</sup>

Length: 8mm

## Standards

|        |  |
|--------|--|
| Safety | EN 61347-2-11                                  |
| EMC    | EN 50015, EN 61000-3-2, EN 61000-3-3, EN 61547 |
| DALI   | EN 62386-101                                   |